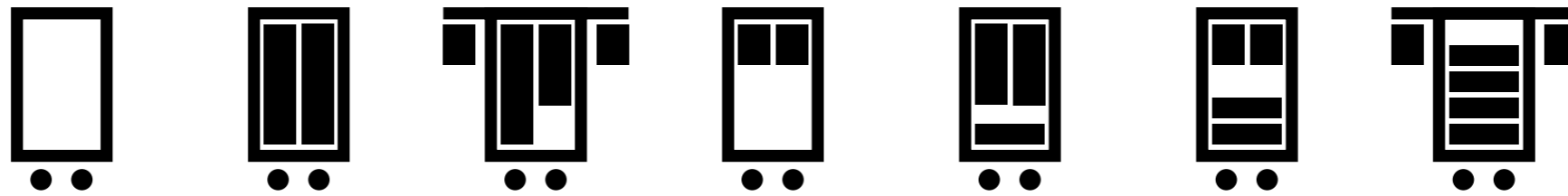


Welcome to the movement!



TROLLEY



FASHION



SOOPL



UNFOLDING MANUAL & WARRANTY

where transporting clothes is carefree, and
navigating pavements a joy.

Soopl®

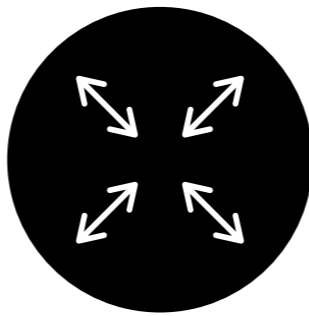
Soopl Fashion Trolley ¹

noun

1. mobile clothing rack made with durable materials. With firm and robust wheels help to easily stroll along bumpy pavements, cobblestones or doorsteps. It is extendable, portable and easy to fold in and out.



EASY TO FOLD
IN AND OUT



EXTENDABLE



WITH ROBUST
WHEELS



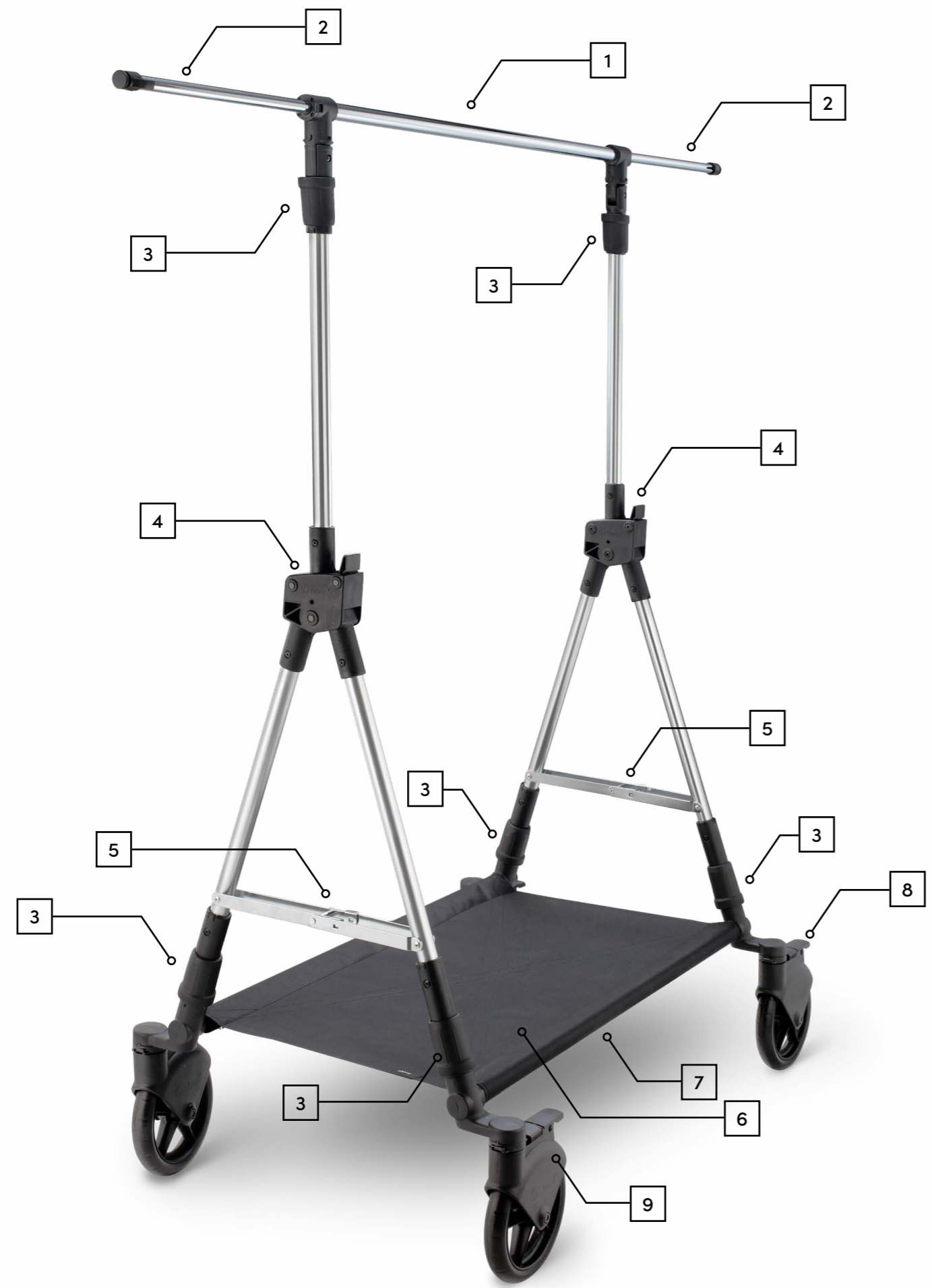
DURABLE
MATERIALS



WASHABLE



SUSTAINABLE
PACKAGING



PARTS OVERVIEW

- 1. hanging tube
- 2. expandable tubes
- 3. covers
- 4. middle joint fasteners
- 5. shore
- 6. basenet
- 7. tubes between wheels
- 8. brake pedal
- 9. wheel case

IMPORTANT

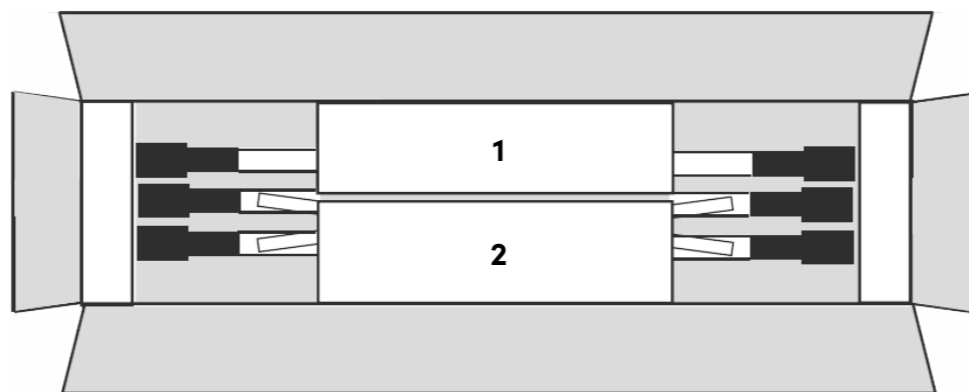
The information in this document can be changed without notification. Soopl is not responsible for any technical mistakes or flaws. For your own safety and that of others, please read this manual carefully before using the Soopl Fashion Trolley.

For best maintenance please store it in a safe place. This manual is only valid for the Soopl Fashion Trolley.

The hanging tube (1) can carry up to 50kg max. of clothing. The extendable tubes (2) can carry up to 10kg max. of clothing. The bottom net (6) is there to optimize stability of the Soopl Fashion Trolley and protect your clothing. Do not place any weight on the bottom net.

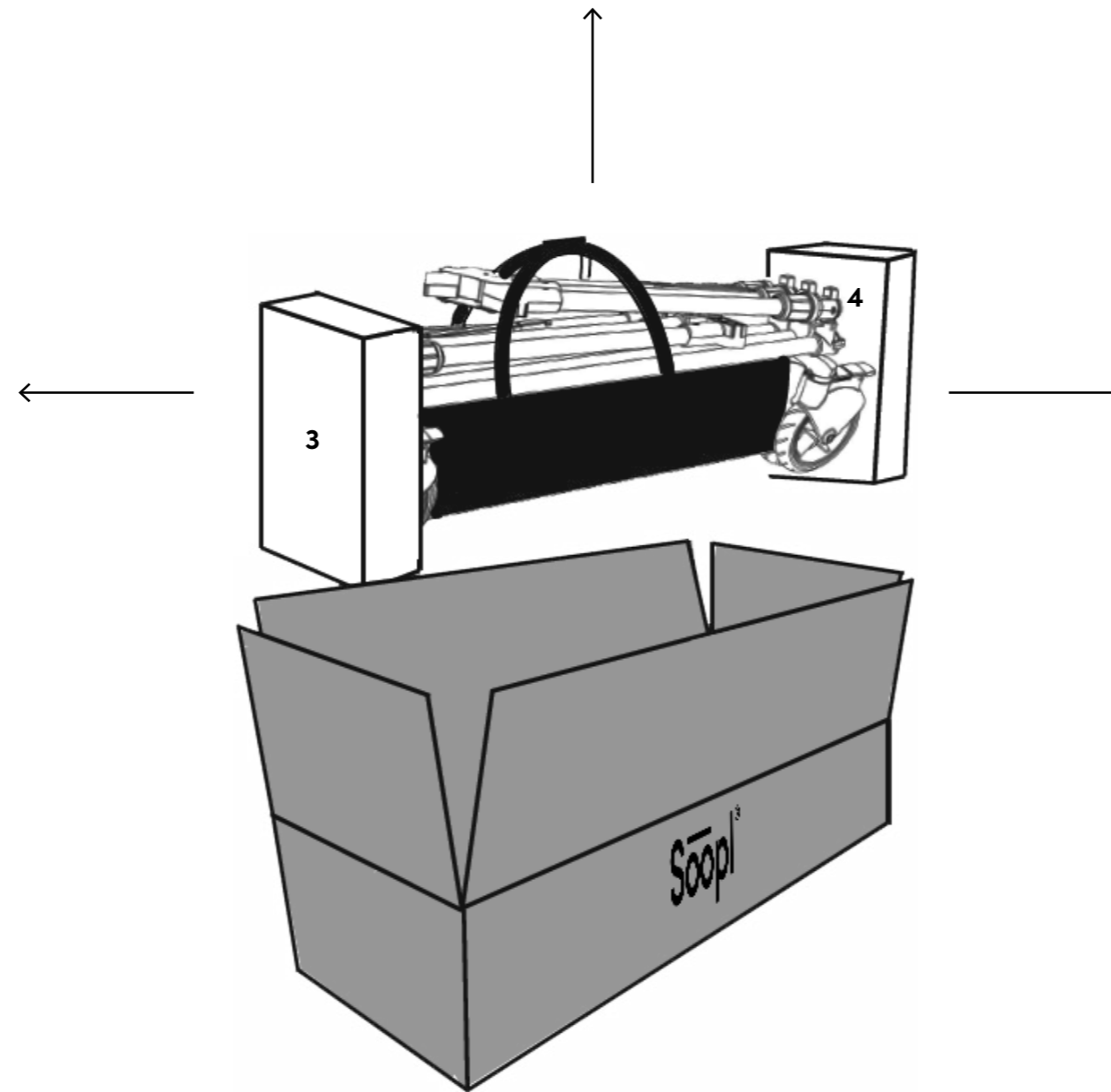
Do not expose the Soopl Fashion Trolley to extreme temperatures or conditions, as it could lose color or shape.

STEP 1



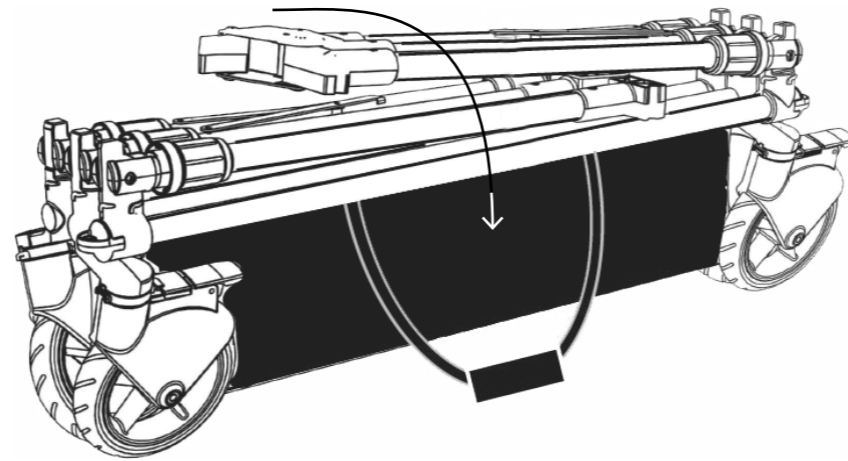
Break away foam part 1 and 2.

STEP 2



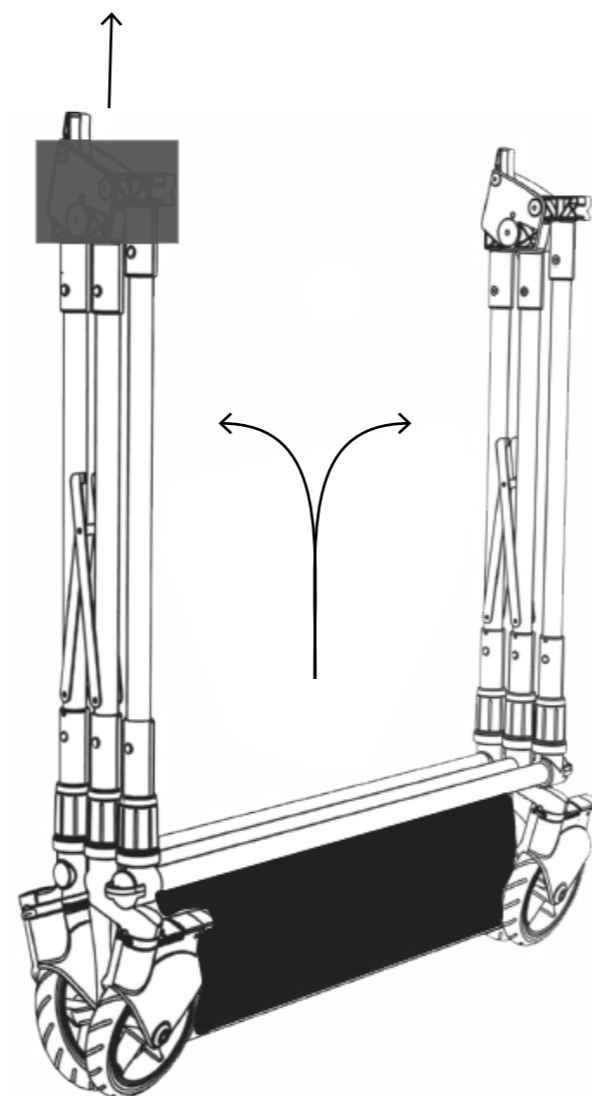
Take your Soopl Fashion Trolley by its carrying handles and remove polystyrene foam parts 3 and 4.

STEP 3



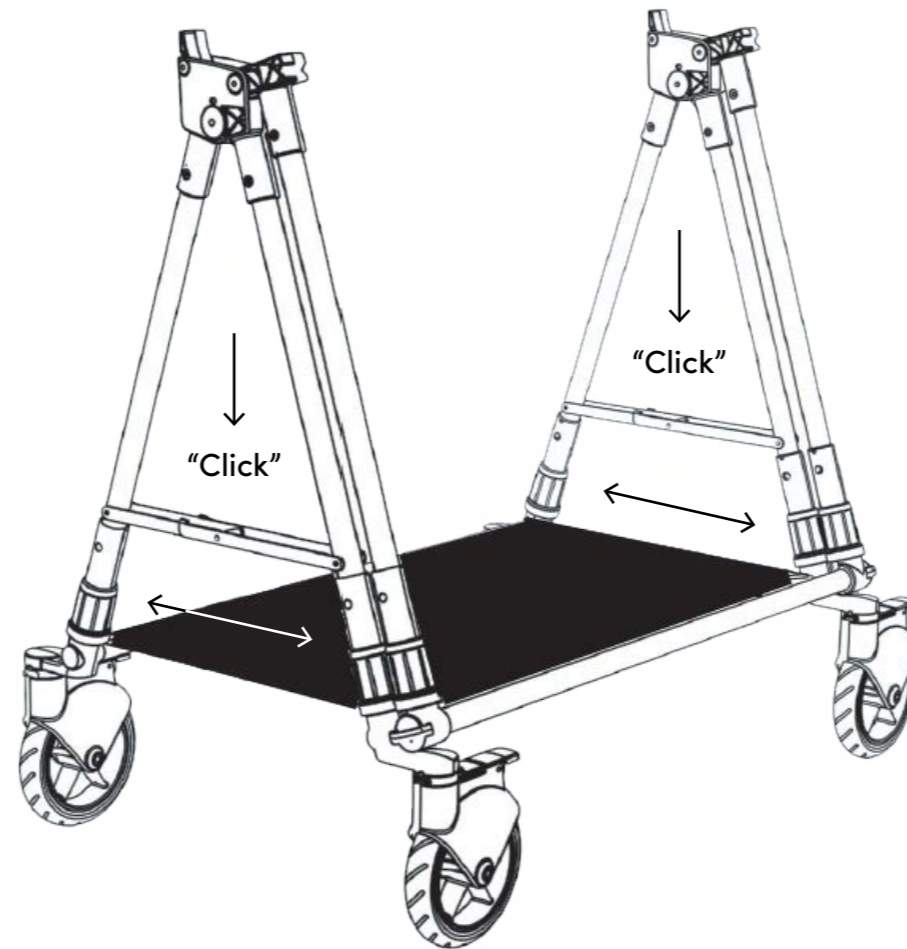
Open velcro on handles
and put one handle on each side.

STEP 4



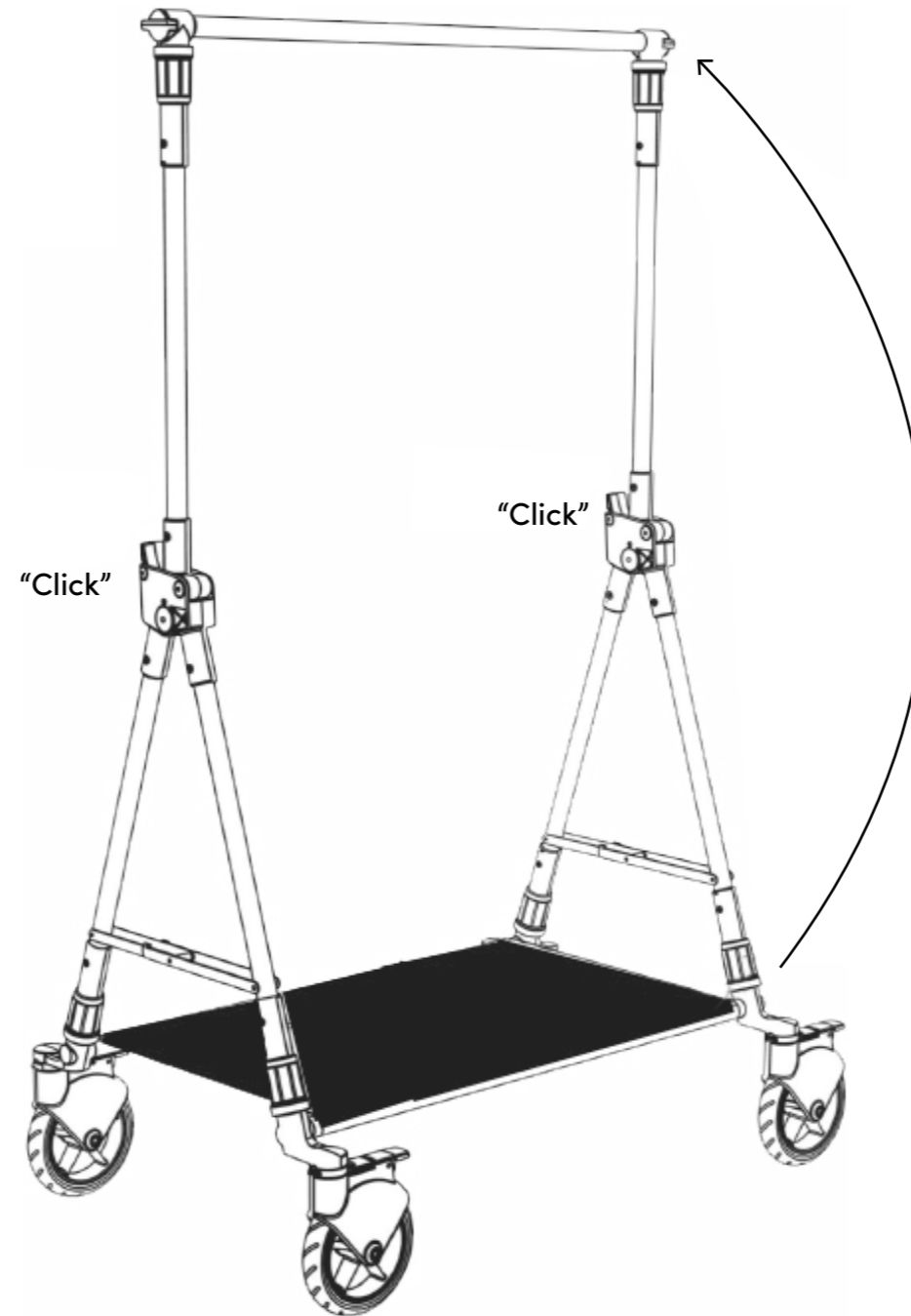
Open the legs one by one and remove the carton protection on middle joint.

STEP 5



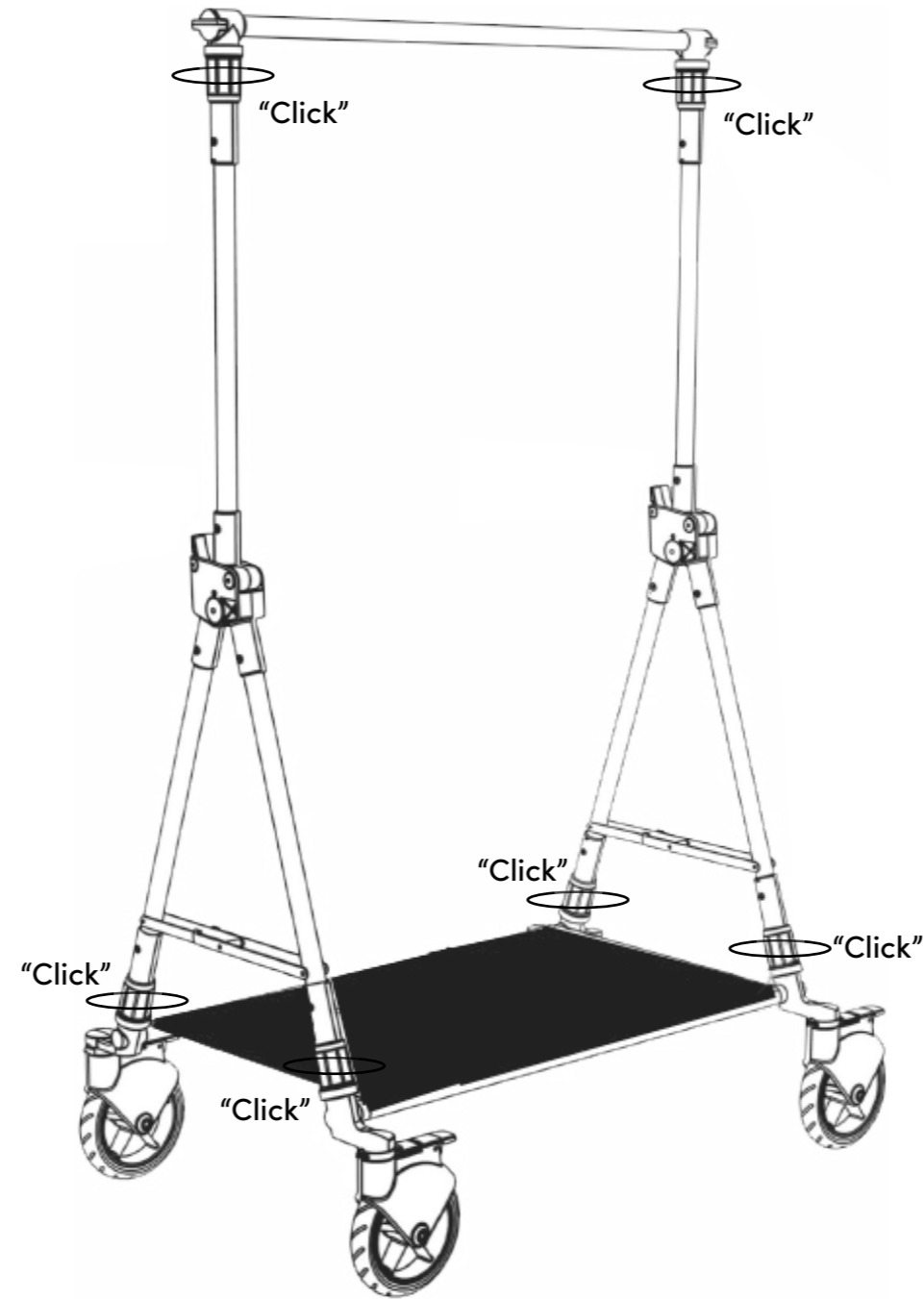
Slide legs open and push hinges down to "click".

STEP 6



Open hanging tube
and fixate middle joint to "click".

STEP 7



Make sure all six covers are closed firmly before using the Soopl Fashion Trolley.

WARNING

First of all: you are responsible for your safety.

- The Soopl Fashion Trolley was designed for use in the transportation of garments only. If you wish to use the Soopl Fashion Trolley for any other purpose, do this at your own risk.
- Do not use the Soopl Fashion Trolley if parts are missing or damaged.
- Do not stand on the tubes between the wheels (7). This is not safe and can cause damage to the Soopl Fashion Trolley.
- All six covers (3) must be

locked before usage. Any damage caused by not locking these covers during use is not covered by the warranty. For extra information about locking the covers, please take a look at the attached manual.

- Both middle - joint fasteners (4) must be locked before usage. Any damage caused by not locking these fasteners during use is not covered by the warranty.
- Do not unbold the covers/ fasteners while using the Soopl Fashion Trolley. This is not safe and can damage your trolley.

- Check all plastic parts of the Soopl Fashion Trolley regularly. Always carry the Soopl Fashion Trolley by the handles when folded.
- Avoid using the Soopl Fashion Trolley in unsafe situations or unsafe conditions.
- Any damage caused by overburdening, wrongly folding, misuse or the use of accessories or spare parts that were not provided by Soopl are not covered by the warranty.
- All modifications or repairs of the Soopl Fashion Trolley must be carried out by Soopl or its

selected agents or distributors only.

- When folding the Soopl Fashion Trolley, please make sure that all covers (3) are above/ free from the hinges. All covers fit together properly, so no force is necessary. If you experience resistance, check that all hinges are free.
- The warranty is only valid when the points mentioned before have been observed.

For extra information, please take a look at the attached manual.

WARRANTY

Soopl Asia Ltd. based at Hong Kong, China, hereafter 'Soopl', provides, in her capacity as developer and manufacturer, warranty on its Soopl Fashion Trolley, hereafter 'product', under the following conditions:

1. The warranty is for six (6) months, starting on the date of purchase. The warranty cannot be extended beyond these six months and will expire after modifications or repairs have been carried out.
2. The warranty covers the right to have the product re-

paired under the conditions set, but not the return of the product or a refund.

3. Soopl will cover transport of the Soopl Fashion Trolley to the customer's address only for repairs carried out within the period covered by the warranty.
4. The warranty is only valid if the customer supplies, together with the damaged product: a copy of the dated invoice, a copy of the warranty form, and a clear description of the complaint.
5. This warranty is not transferable.

This warranty will not be valid:

- if the customer modifies/repairs the Soopl Fashion Trolley without informing Soopl,
- if defects occur through neglect, accidents and/or usage or maintenance which diverges from the warranty,
- if defects occur through normal wear and tear.

The warranty is for six months, starting on the date of purchase, and only when the warranty form is submitted and sent to:

Soopl Netherlands B.V.
PO Box 232,
2000 AE Haarlem,
The Netherlands.

or submitted online at www.soopl.nl/warrantyform. Please keep the invoice and warranty card in a safe place.

Note:

- The Soopl Fashion Trolley is patented.
- The design of the Soopl Fashion Trolley is protected.
- The Soopl brand name is a registered trade mark.



Do you like your fashion trolley?

Drop your review
on our socials.



+31 23 533 26 96

info@soopl.nl

Soopl Netherlands B.V.
Hendrik Figeeweg 3D,
2031 BJ Haarlem,
The Netherlands.

Soopl[®]